

# USL LED

LIGHTING SOLUTIONS

50W/100W/150W/200W/250W/300W



Utility Services Co. Ltd.

شركة خدمات المرافق المحدودة

Al Khobar KSA - [www.usl.sa](http://www.usl.sa) - [Info@usl.sa](mailto:Info@usl.sa) - +966 898 0000 - +966567980000



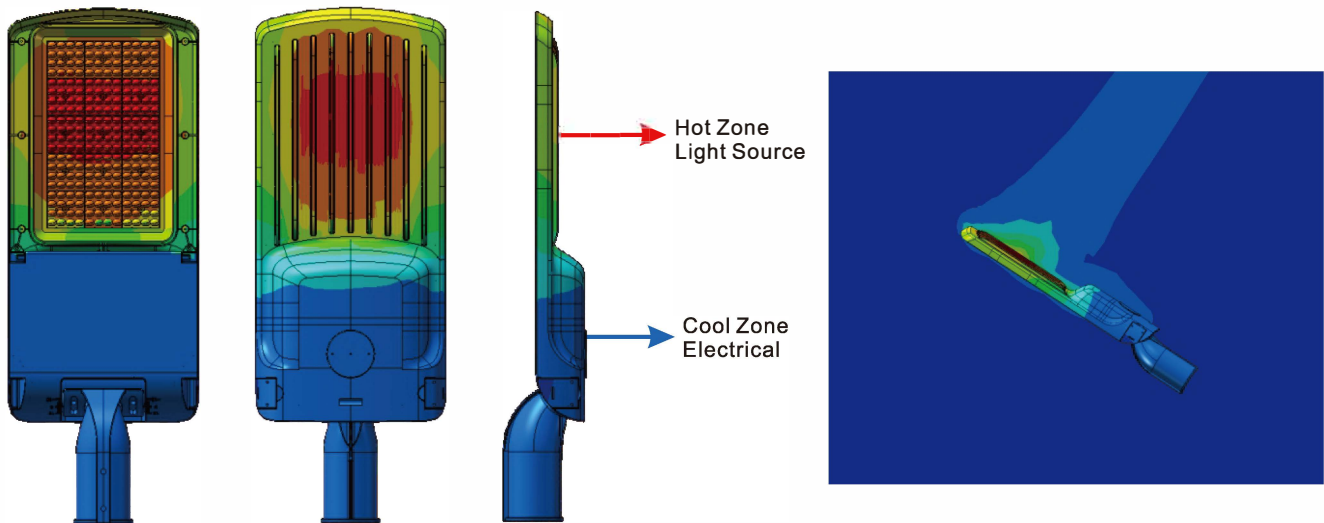
# OVERVIEW

**USL LED**



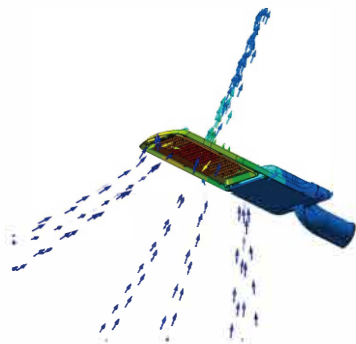
## THERMAL MANAGEMENT

Structure is optimized by advanced FEA technology. Achieving longer lifespan at best cost-efficiency. Thermal-Electrical separated structure ensures better lumen maintenance rate.

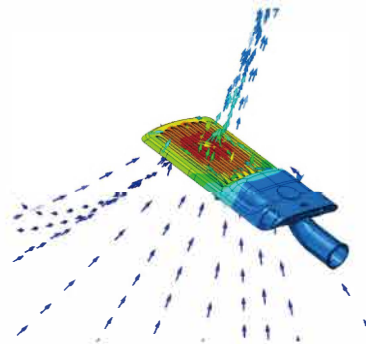


Thermal Conductivity

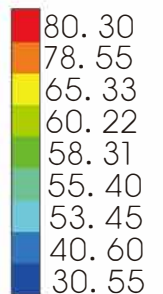
Thermal Effects to Air



Thermal Air Convection

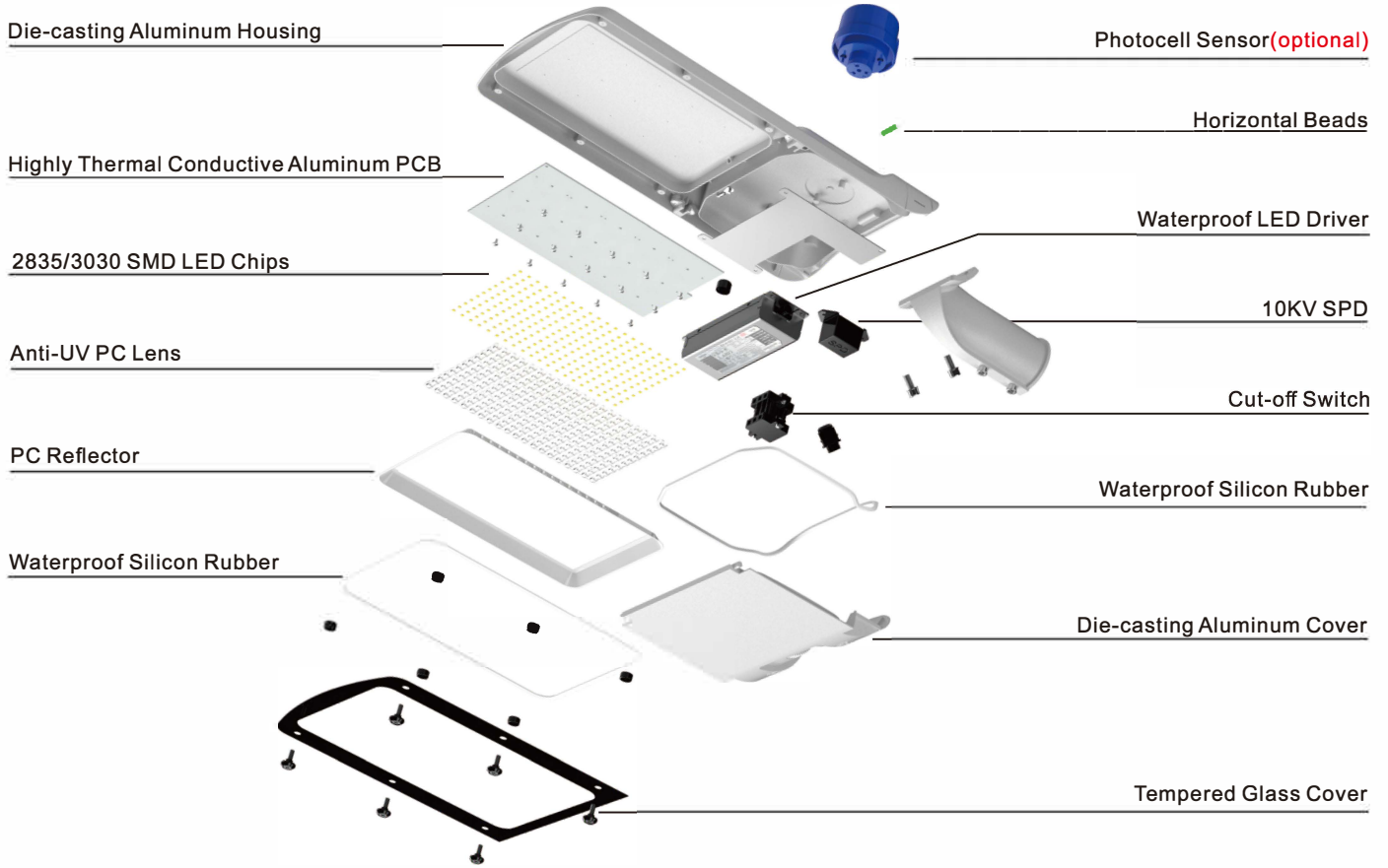


Thermal Air Convection

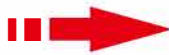


Unit: °C

## EXPLODED



Tool-free maintenance



Thermal-electrical Separated Structure

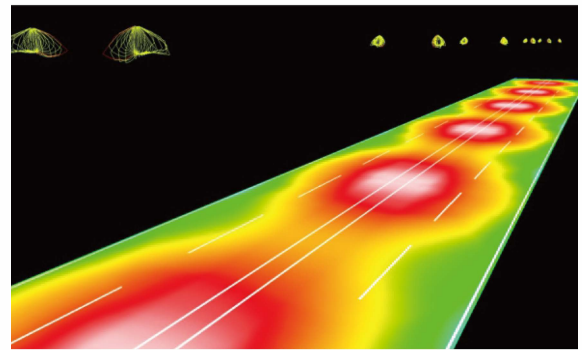
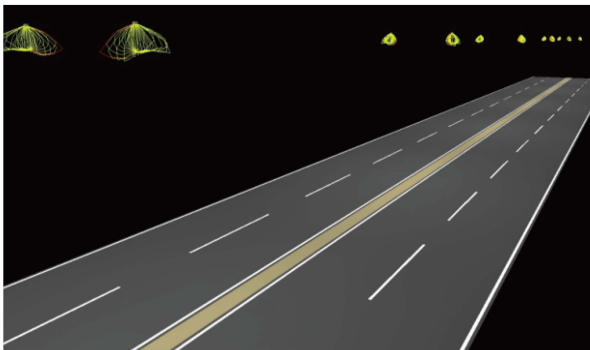
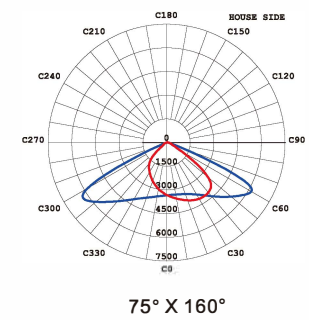
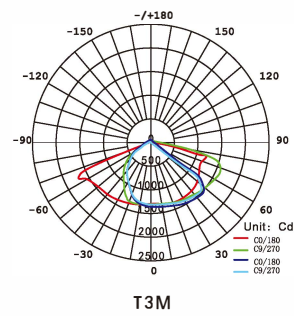
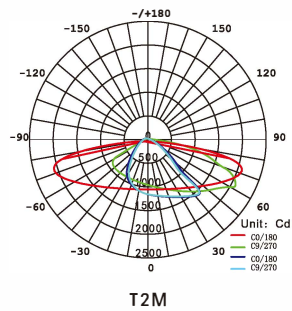
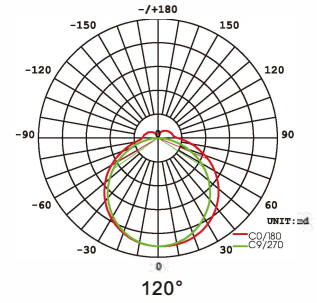
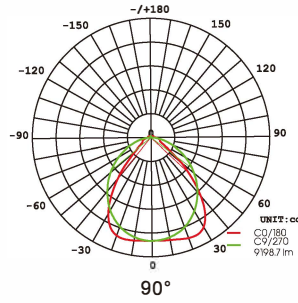
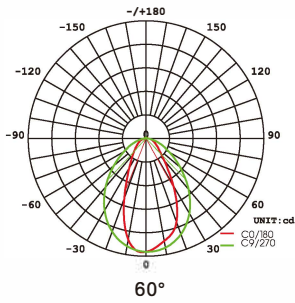
## APPLICATIONS

Widely applicable  
to roads, highways, plazas, villas, parks.

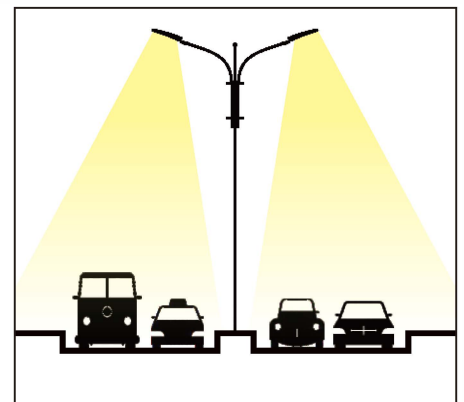
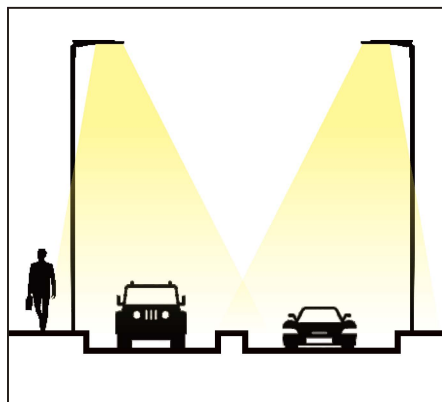


## OPTICS

Tech. Support: Tell us the road length, width and pole height. We have engineer team to respond the DIALUX simulations for lights quantity calculation and effects. .ies files are available upon request.



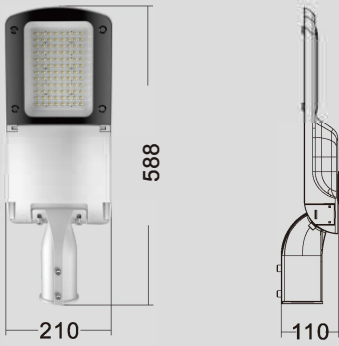
## APPLICATIONS



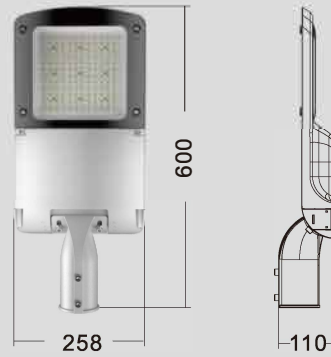
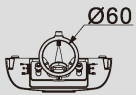
# DIAGRAMS

Unit:MM

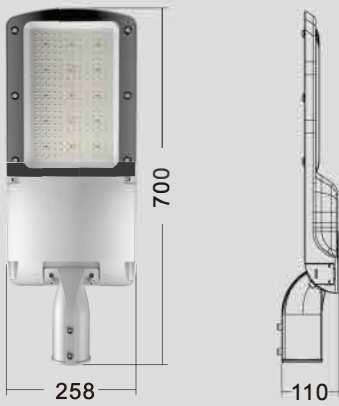
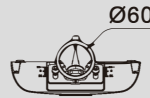
# USL LED



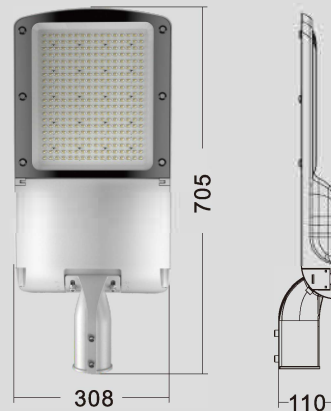
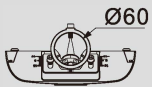
30W-60W



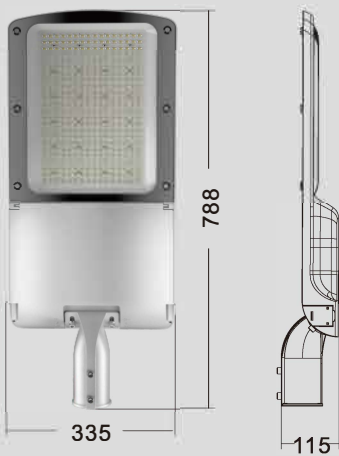
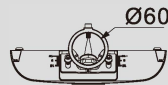
80W-120W



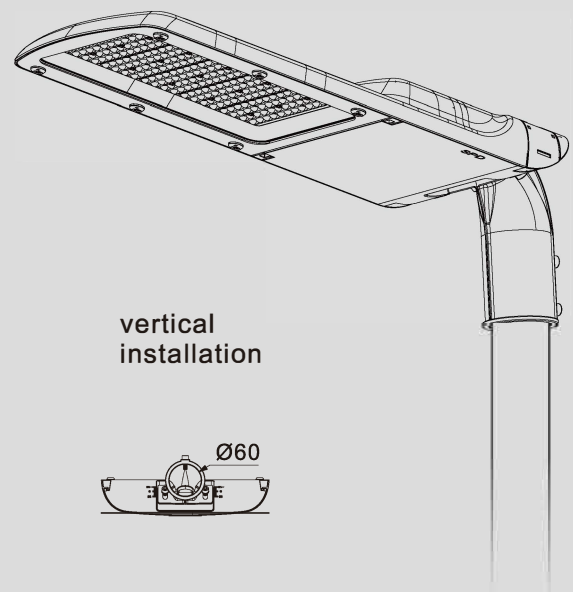
150W-180W



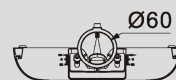
200W-250W



300W-320W



vertical  
installation



# SPECIFICATIONS

# USL LED



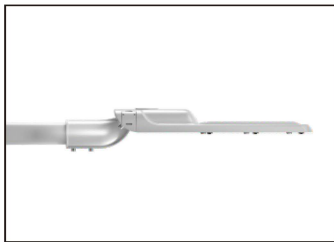
Grey

Black

## PARAMETERS

Model	CET-136-60W	CET-136-120W	CET-136-180W	CET-136-250W	CET-136-320W
Lamp Power	30W-60W	80W-120W	150W-180W	200-250W	300W-320W
LED Qty	72/96/144pcs	108/144/216pcs	180/240/360pcs	240/320/480pcs	288/384/576pcs
Lamp size(mm)	588X210X110	600X258X110	700X258X110	705X308X110	788X335X115
Pole Diameter	Ø60mm	Ø60mm	Ø60mm	Ø60mm	Ø60mm
Raw Material	Die-cast Aluminum+PC Lens+Glass				
Beam Angle	75°x160° 60°/90°/120°/T2M/T3M				
Lamp Efficiency	120-130LM/1W; 140-150LM/1W; 160-170LM/1W				
LED Color	3000-3500K; 4000-4500K; 5000-5500K; 6000-6500K				
CRI	Ra > 70 / 80				
LED Driver	Inventronics/MeanWell/Philips/MOSO or Others				
Power Factor	> 0.95				
IP Grade	IP65				
Life Time	50000H/100000H				
SPD	4KV-6KV-10KV-20KV				
Input Voltage	AC90-305V 50/60Hz				
Body Color	Black or Grey				
Available Option	NEMA Socket(3/5/7pins), Short Cap, Photocell, Motion Sensor, Knife Switch, DALI Dimming, NTC, OLC, Solar Compatible				
Certificate	CB, BIS, SASO, CE-LVD-EMC, RoHS, IES, TUV, EAC, ISO9001, SAA, Intertek TIR				

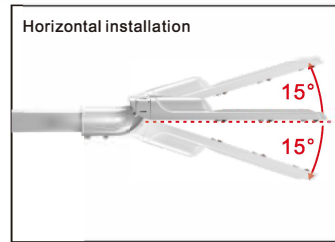
## TWO INSTALLATION METHODS



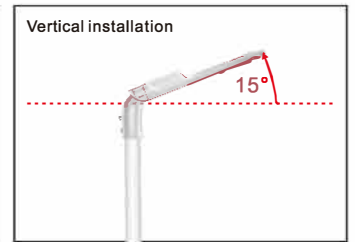
Horizontal installation



Vertical installation

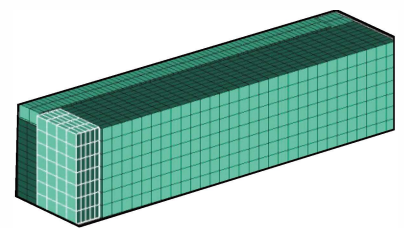
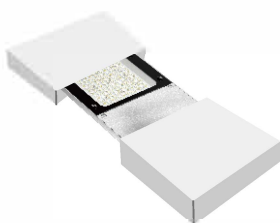


Adjustable up and down 15°



Adjustable up 15°

## PACKAGING





## CAUTIONS:

1. Installation must be done by professional electricians.
2. Do NOT dismantle the product. It may be dangerous.
3. Do NOT stare at the light with naked eyes. It is harmful to eyes.
4. For outdoor lighting, waterproof measurements must be done for the cable terminals.

## WARRANTY :

1. All LED Street Lights are warranted by the manufacturer to be free of defects in material and workmanship for 3 or 5 years ( as per sale contracts).
2. Warranty becomes void if the products is modified, improperly installed or used, damaged by accident or neglect, or if any parts are improperly installed or replaced by the user.
3. During the warranty time, if the products fails at normal environment and applications, we should decide by our own to repair or replace without any charge.

